

No Analog Line? No Problem!

You've just purchased a new conference phone for your conference room and you have an important call to make that afternoon. The problem is that the conference phone is analog and all the telephone jacks in your conference room are digital. Connectivity in this environment can be impossible. Worse, connecting the conference phone directly to a digital line may damage it. What's the solution?



YOUR KONEXX SOLUTION

The Konexx Conference provides an analog data port to connect your conference phone to virtually any office phone system. Which means:

- No more installing dedicated analog lines or special PBX adapters in conference rooms
- A quick, simple analog connection using the office phone handset.
- Supports high quality sound and full duplex operation for all audioconference speakerphones
- Friendly compact size and lightweight.

The result is increased productivity by getting you connected when you need it most.

*Connecting
your audioconference
speakerphone is quick
and easy
with the Konexx
Conference*

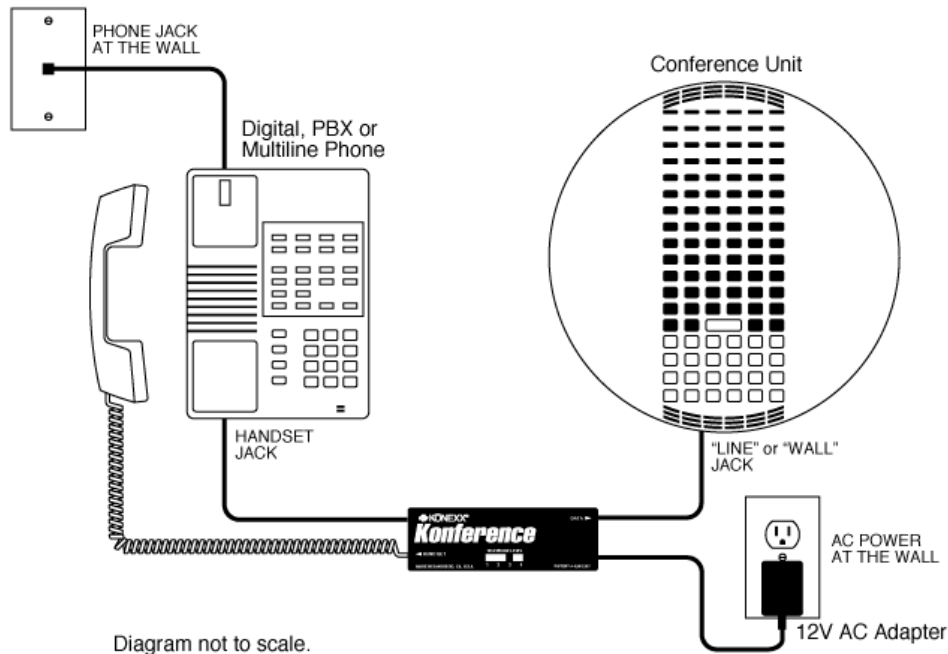


*For more information about your
Konexx solution, call us today*

1-800-275-6354

San Diego, CA
www.konexx.com

KONEXX solutions make professionals more efficient.



THE KONEXX KONFERENCE

Features:

- Easy to install. Small and lightweight.
- Supports full duplex operation
- Compatible with all conference phones
- A four-position switch assures reliable operation with virtually any office phone system throughout the world

Installation:

- Connects to the office digital telephone handset
- Requires telephone with modular handset (able to remove telephone handset from the base of the telephone)

Specifications:

- Power AC adapter, available in 110v AC or 220v AC version
- Compact Size: 3.7 L x 1.3 W x 1.1 H (inches)
- Weight: 2.6 ounces
- Warranty: 2-year factory



5550 Oberlin Drive
 San Diego, CA 92121
 Phone: 858-622-1400
 Fax: 858-550-7330
 E-mail: sales@konexx.com
<http://www.konexx.com/>